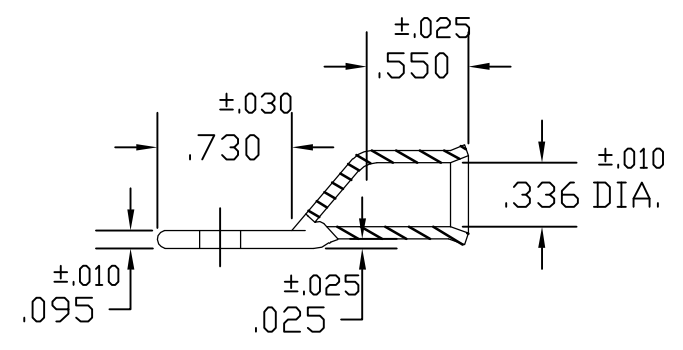
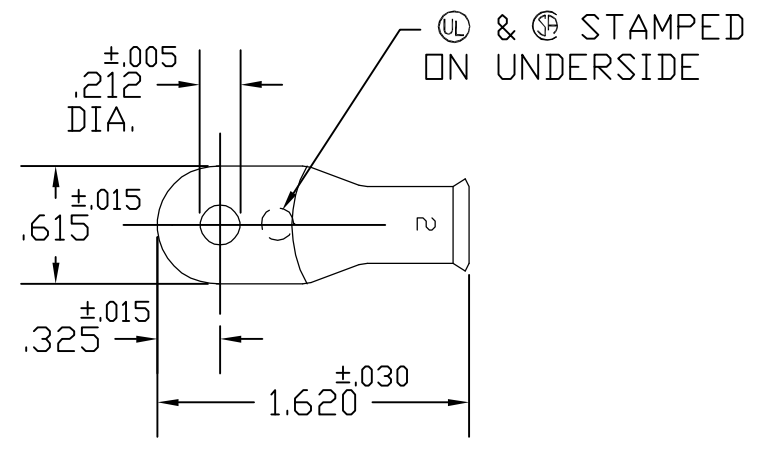


THIS DRAWING IS UNPUBLISHED. RELEASED FOR PUBLICATION
 © COPYRIGHT BY TYCO ELECTRONICS CORPORATION. ALL RIGHTS RESERVED.

LOC	DIST	REVISIONS					
		P	LTR	DESCRIPTION	DATE	DWN	APVD
G	50		A1	REVISED PER ECR-06-010006	02MAY06	HMR	JR



ACTIVE	2101-01	STANDARD	TIN PLATE	1526288-2
ACTIVE	2101-00	STANDARD	PLAIN	1526288-1
STATUS	AET P/N	PACKAGING	FINISH	PART NUMBER

THIS DRAWING IS A CONTROLLED DOCUMENT.		DWN D.A.A. 10/13/00	Tyco Electronics Corporation Harrisburg, PA 17105-3608				
DIMENSIONS: INCHES		CHK H.D.F. 10/13/00				NAME 2 STANDARD TERMINAL	
		APVD H.D.F. 10/13/00	PRODUCT SPEC				
		TOLERANCES UNLESS OTHERWISE SPECIFIED:		APPLICATION SPEC			
MATERIAL COPPER ASTM B-152		FINISH -	WEIGHT -	SIZE A3	CAGE CODE 00779	DRAWING NO C-1526288	RESTRICTED TO -
CUSTOMER DRAWING			SCALE 1:1	SHEET 1 OF 1	REV A1		